

# ATLAS Worm Gear Power Winch

*capacity up to 2,000 lbs*

**4WP2 and 4WP2T Series power winches from Thern deliver power and performance to job sites large and small. The combination of durability and versatility ensure you have the ability to lift and pull when and where you need it.**

**Fully-enclosed precision worm gearing ensures smooth, dependable, long-lasting operation, while sturdy lifting handles allow for easy transport.**



4WP2T8-2000-8 shown



Lifting handles on frame provide for easy transport around job site.



Dual function cable anchor enables quick and easy cable connection.

**MACHINE CUT GEARS** provide high efficiency and smooth operation.

**ENCLOSED OIL BATH** reduced wear on gears for long operating life. Oil seals keep oil in and dirt out.

**CAST ALUMINUM** combines rugged work site durability with a lightweight package.

**INTERNAL MECHANICAL OR MOTOR BRAKE** provides positive load control for lifting and lowering operations.

**BALL BEARINGS** provide smooth and efficient operation.

**LIFTING HANDLES (A)** aid in work site lifting and positioning. **(4WP2T8 only)**

**DUAL FUNCTION CABLE ANCHOR (B)** has both standard set screw slot and keyhole slot on drum for quick disconnect with swaged ball ends.

**PRESSURE PLATE** applies pressure to drum and wire rope to help maintain uniform winding. **(4WP2T8 only)**

**CORROSION RESISTANT** durable paint finish protects against corrosion in harsh environments.

**MOUNTING OPTIONS** include floor, wall and ceiling configurations.

**MODULAR DESIGN** for easy product customization and quick lead times.

**CLUTCH MODEL AVAILABLE** to rapidly unwind wire rope.

**2 YEAR MOVE IT WITH CONFIDENCE LIMITED WARRANTY** leads the industry.

# ATLAS Worm Gear Power Winch

capacity up to 2,000 lbs

## OPTIONS AND ACCESSORIES

**EMERGENCY HAND CRANK** for manual operation in power loss situations.

**ROTARY LIMIT SWITCHES** provide secondary shut-off for load travel in one or two directions.

**TWO PART LINE KIT (C)** available to convert to double line rigging.

**SPECIAL FINISHES** for harsh or hazardous environments.

**SPECIAL MOTORS AND CONTROLS** are available in a wide range of standard and custom configurations for single or variable speed.

**TORQUE LIMITERS** as part of the motor controls.



Two-part line kit available.

## 4WP2 and 4WP2T Series Performance Characteristics

Model	Description	Motor HP	Load Rating						Line Speed			
			1st Layer		Mid Drum		Full Drum		1st Layer		Full Drum	
			(lb)	(kg)	(lb)	(kg)	(lb)	(kg)	(fpm)	(mpm)	(fpm)	(mpm)
4WP2 <sup>1</sup>	includes controls	1.3	2000	907.2	1500	680.4	1200	544.3	9	2.7	16	4.9
4WP2T8-2000-8 <sup>2</sup>	includes controls 8" drum - lifting/pulling	1.3	2000	907.2	1200	544.3	800	362.9	13	4.0	24	7.3
4WP2TC-2000-8 <sup>2</sup>	includes controls clutch model - 5.5" drum <i>horizontal pulling only</i>	1.3	2000	907.2	1200	544.3	800	362.9	9	2.7	16	4.9

<sup>1</sup> Model 4WP2, 115 VAC motor includes 8 foot power cord with grounded plug, and NEMA 4 push button pendant on 6 foot cord.

<sup>2</sup> Model 4WP2T8 and 4WP2TC, 115 VAC motor includes 16 foot power cord with grounded plug, and push button pendant control of 16 foot cord.

## 4WP2 and 4WP2T Series Drum Capacities

Model	Wire Rope Diameter <sup>3</sup>		Breaking Strength		Drum Capacity <sup>4</sup>					
	(in)	(mm)	(lb)	(kg)	1st Layer		Mid Drum		Full Drum	
					(ft)	(m)	(ft)	(m)	(ft)	(m)
4WP2	1/4	6.4	7,000	3,175.1	11	3.4	35	10.7	77	23.5
4WP2T8-2000-8	1/4	6.4	7,000	3,175.1	19	5.8	130	39.6	280	85.3
	5/16	7.9	9,800	4,445.2	15	4.6	85	25.9	190	57.9
4WP2TC-2000-8	1/4	6.4	7,000	3,175.1	12	3.7	87	26.5	190	57.9

<sup>3</sup> Model 4WP2, 115 VAC motor includes 8 foot power cord with grounded plug, and NEMA 4 push button pendant on 6 foot cord.

<sup>4</sup> Model 4WP2T8 and 4WP2TC, 115 VAC motor includes 16 foot power cord with grounded plug, and push button pendant control on 16 foot cord.

Motor Codes		
A <sup>5</sup>	115 volt	1 phase
B <sup>5</sup>	230 volt	1 phase
D <sup>5</sup>	230 volt	3 phase
E <sup>5</sup>	460 volt	3 phase
F	All other voltages or hertz please contact the factory.	
PN <sup>6</sup>	8-vane air motor with mounted controls	
DC	12 volt DC with 10 foot pendant control	

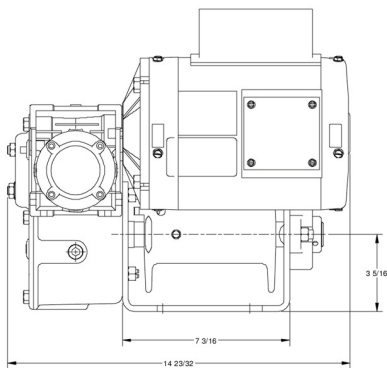
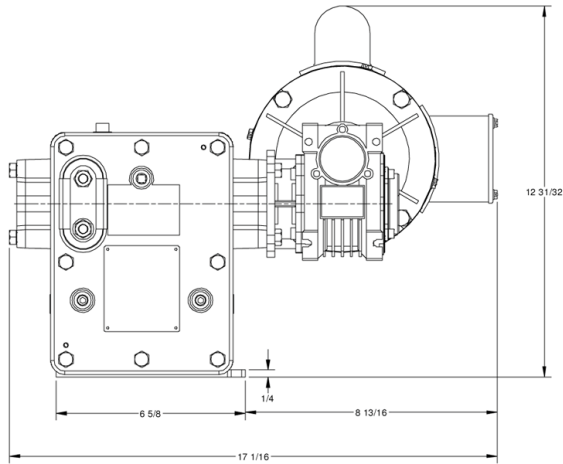
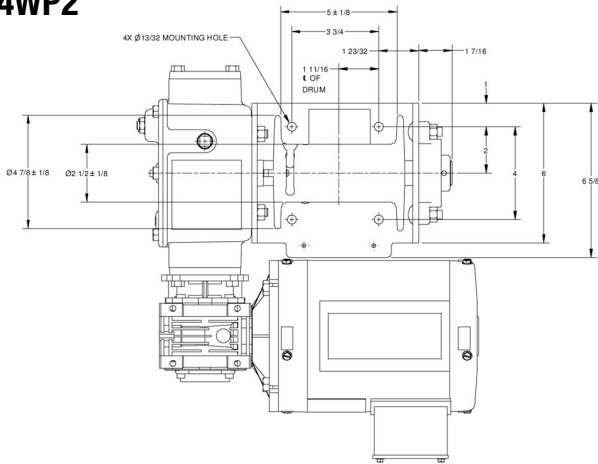
<sup>5</sup> Controls sold separately.

<sup>6</sup> Ratings are for 80 cfm at 100 psi.

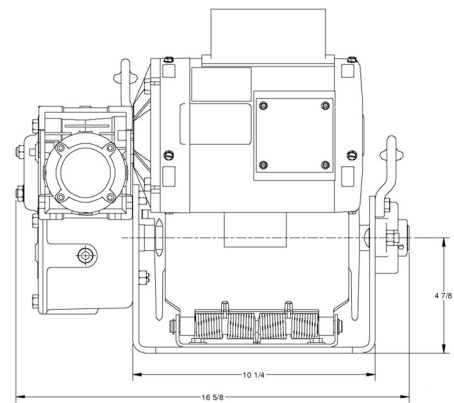
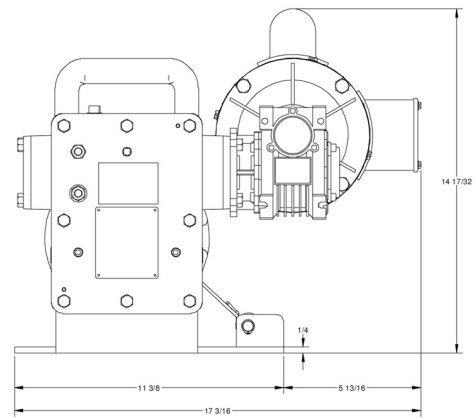
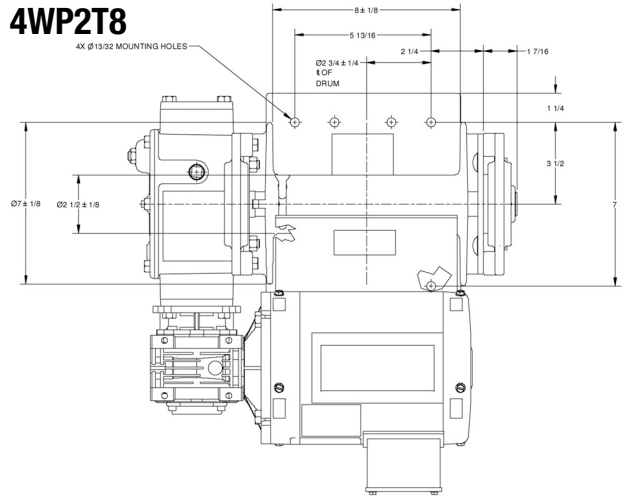
# ATLAS Worm Gear Power Winch

capacity up to 2,000 lbs

**4WP2**



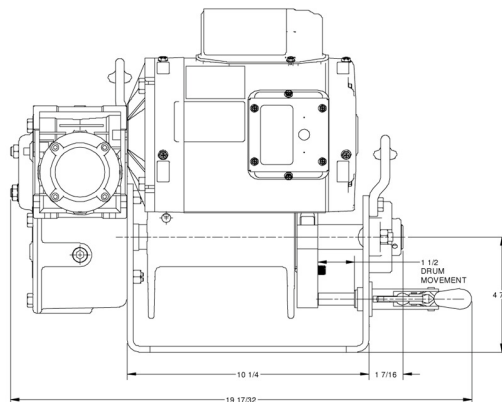
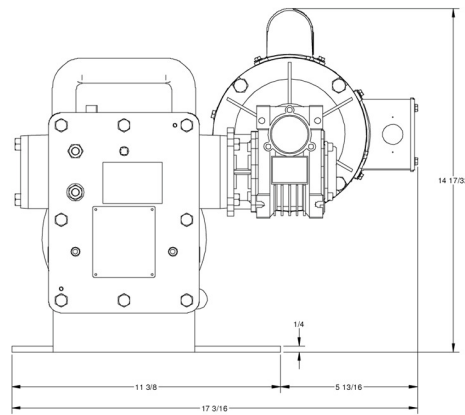
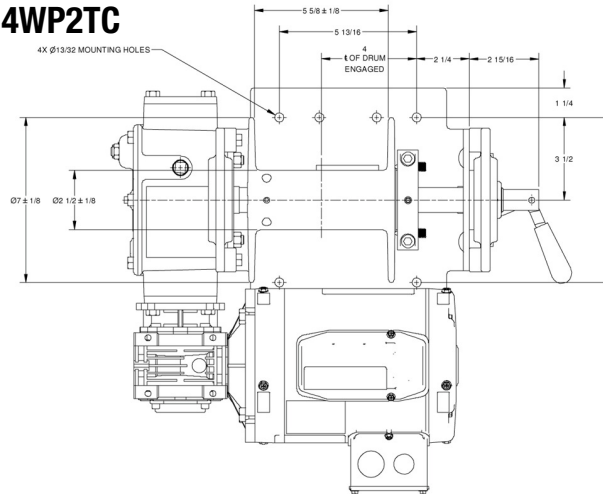
**4WP2T8**



# ATLAS Worm Gear Power Winch

capacity up to 2,000 lbs

## 4WP2TC



### IMPORTANT:

It is the owner or operator's responsibility to determine the suitability of the equipment to its intended use. Study all applicable codes, manuals and regulations. Be sure to read the Owner's Manual supplied with the equipment before operating it.